

# CSW Group Ltd Statistical Reports

## 2024 Activity Survey Results - Great Torrington School

Report Date: 13/02/2025

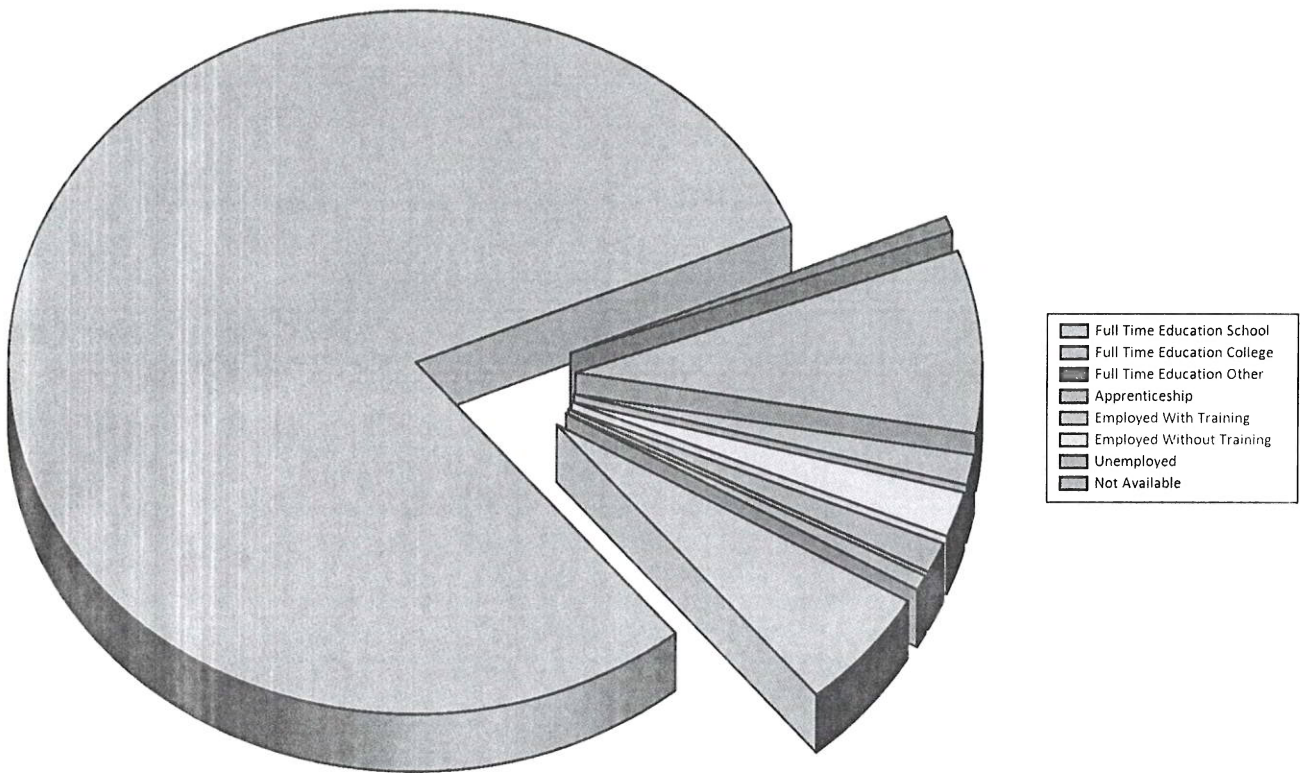
<b>Activity</b>	<b>Count</b>	<b>%</b>
Full Time Education School	8	5.6%
Full Time Education College	114	79.7%
Full Time Education Other	1	0.7%
Apprenticeship	12	8.4%
Employed With Training	2	1.4%
Employed Without Training	3	2.1%
Unemployed	2	1.4%
Not Available	1	0.7%
<b>Total</b>	<b>143</b>	<b>100.0%</b>
<b>NEET %</b>		<b>2.1%</b>
<b>Not Known %</b>		<b>0.0%</b>
<b>Participating %</b>		<b>95.8%</b>

# CSW Group Ltd Statistical Reports

## 2024 Activity Survey Results - Great Torrington School

Report Date: 13/02/2025

Chart of Activity Survey Results - Great Torrington School

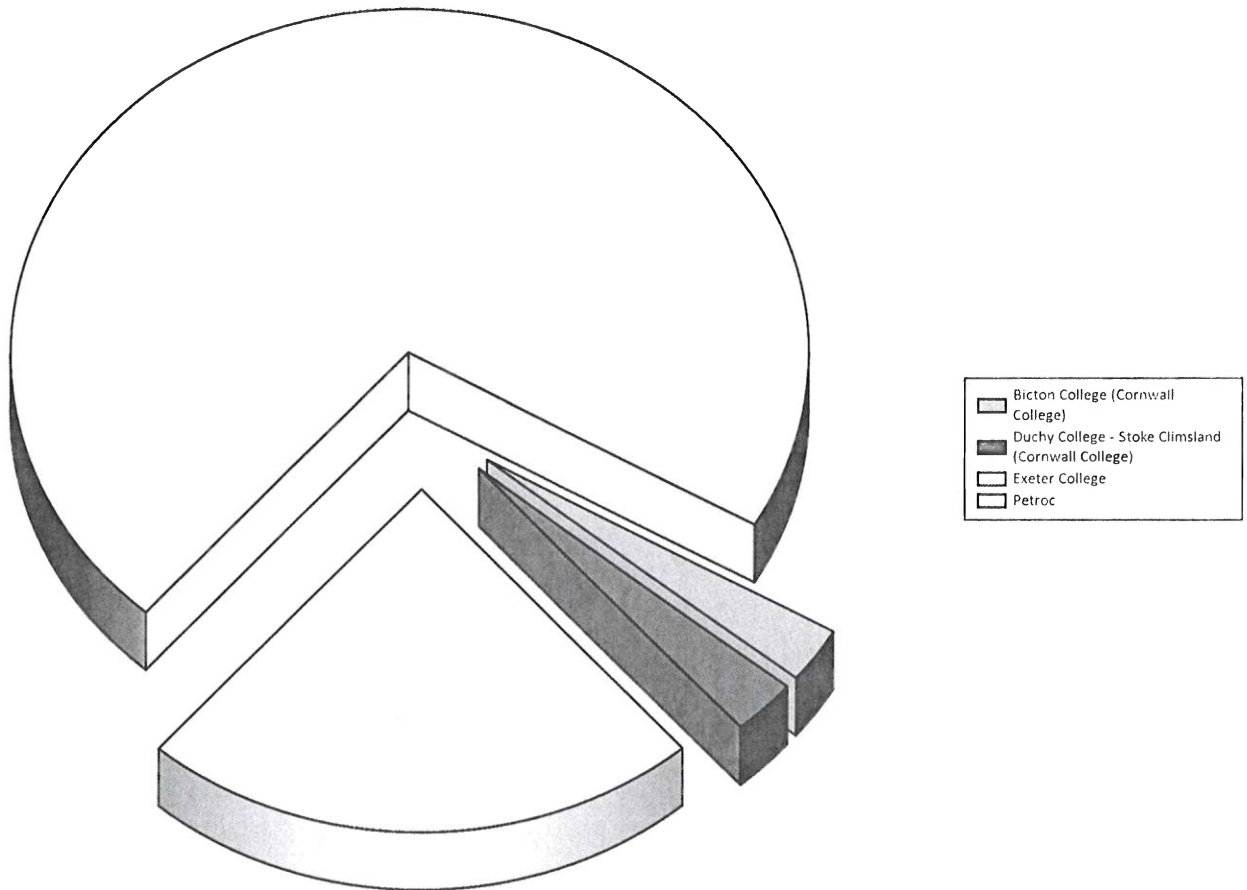


# CSW Group Ltd Statistical Reports

## 2024 Activity Survey Results - Great Torrington School

Report Date: 13/02/2025

### FE College Breakdown (includes Part Time) - Great Torrington School



**Notes:**

Where a young person is recorded as "Full Time Education School" they have entered a school 6th form (not necessarily the 6th form of their statutory school) this can also include repeating Year 11

The report excludes any 2024 Year 11 pupils who were notified to CSW as moved away prior to 1st June 2024